

HWT-D6550-10- Z33-SV

1T 5MP IR/White-Light AI PTZ Dome
Camera with Intercom



Features

- ▶ 1 TOPS computing power
- ▶ Supports automatic tracking, behavior analysis, crowd flow analysis, target and person detection, object (motor vehicle, non-motorized vehicle, and pedestrian) classification
- ▶ Supports backlight adaptation and overcast adaptation
- ▶ 1/2.7" CMOS sensor
- ▶ Online loading and upgrade of algorithms
- ▶ 120 dB super wide dynamic range (WDR), ensuring that both foreground and background objects are clearly identified in environments with sharp light contrast

Technical Specifications

Model		HWT-D6550-10-Z33-SV				
Major Specifications						
Main control	Computing power	1 TOPS				
	Memory	DDR3 1.0 GB				
	Flash type	SPI NAND FLASH 256.0 MB				
Camera	Focal length	5.3–175 mm				
	Max Aperture	F1.6–F4.4				
	Image sensor	1/2.7" CMOS sensor/5MP: 2880 (H) x 1620 (V)				
	Lens aperture type	DC iris+Hall sensor				
	Angle of view	Horizontal AoV: 54° (W) to 2.4° (T); Vertical AoV: 40.2° (W) to 1.7° (T) AoV deviation: ≤ 5%				
	IR range	150 m				
	Illumination distance	30 m				
	Digital zoom/Optical zoom	16x/33X				
	DORI (Complied to the EN 62676-4)		D(m)	O(m)	R(m)	l(m)
		W	106.0	42.7	21.2	10.6
		T	3500.0	1411.3	700.0	350.0
PTZ	PTZ rotation angle	Pan: 0° to 360°; tilt: -15° to +90°				
	Pan speed	Maximum speed for rotating to a preset position: 100°/s; manual control speed: 0.1°/s to 100°/s Note: The PTZ rotation speed needs to be limited in the case of low temperature. Temperature for entering the speed limit mode: -20°C Temperature for exiting the speed limit mode: -10°C Max pan speed: 30°/s Max tilt speed: 20°/s				
	Tilt speed	Maximum speed for rotating to a preset position: 80°/s; manual control speed: 0.1°/s to 80°/s Note: The PTZ rotation speed needs to be limited in the case of low temperature. Temperature for entering the speed limit mode: -20°C Temperature for exiting the speed limit mode: -10°C Max pan speed: 30°/s Max tilt speed: 20°/s				
	Park action	Supported				
	Tour	Supported				
	Preset position	512 (including one home position)				
	Home position	Supported				
Intelligence						
Target/Body	Target	Target detection/Target attribute recognition				
	Body	Body detection				
Other intelligences	Behavior analysis	Fast movement/Tripwire crossing/Intrusion/Area entry or exit /Loitering				
	Crowd flow analysis	Queue length/Head counting/Crowd flow statistics				
	Non-motorized vehicle	Supported				
	Intelligent tracking	Supported				
	Defocus	Supported				
Alarm information	No SD card; SD card full; SD card error; Network disconnection; Defocus detection; IP Address Conflict Detection					

Open ecosystem		
Algorithm openness	Open OS	Supported
Data openness	Data openness	SDK (proprietary protocol)/REST API (proprietary protocol)/ONVIF Profile S/G/T/M

Image		
Codec	Video encoding format	MJPEG/H.264/H.265
	Video encoding channels	Triple streams
	Intelligent encoding	Extra265/264
	Video frame rate	Configurable (30 fps or 25 fps); default value: 25 fps
Image AI	Scene adaptation	Backlight adaptation/Overcast adaptation
Image ISP	Min illumination	Color: 0.005 lux (F1.2, AGC ON, 1/30s shutter speed); B/W: 0.0005 lux (F1.2, AGC ON, 1/30s shutter speed) or 0 lux (infrared illuminator enabled)
	Day/Night mode	Supported; automatic (ICR), color, B/W, and scheduled (default: automatic) Sensitivity level: high (default), medium, and low Image triggering/Internal triggering
	WDR	120 dB
	White balance	Auto/Manual/OnePush
	HLC/BLC	Supported/Supported
	Digital noise reduction	2D/3D noise reduction
	Shutter speed	Supports slow shutter; Slow shutter speed levels: 1/3s, 1/4s, 1/8s, 1/12s, 1/15s; Non-slow shutter speed levels: 1/25s, 1/30s, 1/50s, 1/60s, 1/90s, 1/100s, 1/120s, 1/125s, 1/180s, 1/250s, 1/350s, 1/500s, 1/725s, 1/1000s, 1/1500s, 1/2000s, 1/3000s, 1/4000s, 1/6000s, 1/10000s, 1/30000s, 1/100000s, and customized; Full intelligence or target checkpoint mode: 1/25s, 1/30s, 1/50s, 1/60s, 1/90s, 1/100s, 1/120s, 1/125s, 1/180s, 1/250s, 1/350s, 1/500s, 1/725s, 1/1000s, 1/1500s, 1/2000s, 1/3000s, 1/4000s, 1/6000s, 1/10000s, 1/30000s, 1/100000s, and customized; Full intelligence or micro checkpoint mode: 1/100s, 1/120s, 1/125s, 1/180s, 1/250s, 1/350s, 1/500s, 1/725s, 1/1000s, 1/1500s, 1/2000s, 1/3000s, 1/4000s, 1/6000s, 1/10000s, 1/30000s, 1/100000s, and customized; Target checkpoint: 1/100s; Micro checkpoint: 1/250s; Behavior analysis: 1/25s
	Signal-to-Noise Ratio(SNR)	>45dB
	Primary stream resolution	2880 x 1620 (5MP), 2560 x 1440 (4MP), 2304 x 1296 (3MP), 1920 x 1080 (1080p), and 1280 x 720 (720p)
	Secondary stream resolution	Secondary stream 1: 720 x 576 (PAL), 720 x 480 (NTSC), 352 x 288 (PAL), 352 x 240 (NTSC); Secondary stream 2: 352 x 288 (PAL), 352 x 240 (NTSC)
	Video bit rate	Only for H.264 and H.265: 1080p to 4K: 512 kbit/s to 16 Mbit/s 720p: 384 kbit/s to 8 Mbit/s D1: 256 kbit/s to 4 Mbit/s CIF: 32 kbit/s to 1 Mbit/s
	Smart Illumination	Not Supported
	Optical Defogging/Algorithm-assisted Defogging	Not Supported/Supported
EIS	Supported; Sensitivity levels are not supported.	

Audio		
Audio	Audio Encoding Format	G.711a/G.711u/G.726/OPUS/AAC
	Audio sampling rate	G.711a/G.711u/G.726: 8 kHz OPUS: 8/12/16/24/48 kHz AAC: 8/16/22.05/24K/32/44.1K/48 kHz
	Audio bit rate	G.711a/G.711u: 64 kbit/s; G.726: configurable (16/24/32/40 kbit/s); OPUS: configurable (16/24/32/40/64/96/128/160/192/224/256/288 kbit/s) AAC: 8 kHz sampling rate: 16/22/24/32/48 kbit/s 16 kHz sampling rate: 24/32/48/64/96 kbit/s 22.05/24/32 kHz sampling rate: 32/48/64/96/128 kbit/s 44.1/48 kHz sampling rate: 48/64/96/128/256 kbit/s

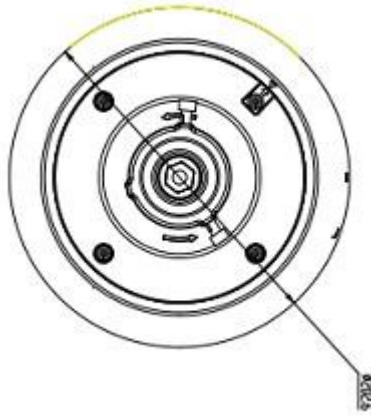
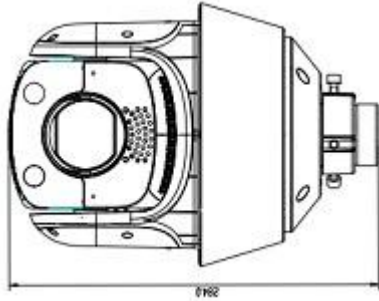
Networking		
Network transmission	Protocols supported by IPv4	TCP, UDP, IPv4, DHCP, DNS, ICMP, IGMP, HTTPS, FTP, SFTP, RTP, RTSP, RTCP, SIP, ARP, SSL, NTP, SNMP (V1/V2/V3), 802.1X, QoS, SMTP, and PPPoE. Note: The northbound protocol needs to adapt to the PPPoE dialup scenario.
	Protocols supported by IPv6	HTTPS, RTP, RTCP, RTSP, ONVIF, IPv6, ICMPv6, and DHCPv6

Security		
Data security	Media security	Supports web- or SDK-based media stream encryption; supports a maximum of two channels of encrypted media streams; media stream encryption and full intelligence, target recognition, or image upload through SFTP/FTP cannot be enabled at the same time; after the intelligent analysis function is enabled, only one-channel stream encryption is supported; supports encrypted storage of data in SD cards. By default, RTSP uses MD5 digest authentication.
	Video digital watermark	Supported
	Image digital watermark	Supported
Service security	User rights	Three user roles: administrator, advanced operator, and common operator
	Security mode	User name and password authentication, 802.1X authentication, and HTTPS digital certificate
	Secure boot	Supported
	System intrusion detection	Supported

Port	
Storage port	One microSD card slot that supports microSDHC/microSDXC (maximum memory card capacity: 256 GB)
Network port	One RJ45 10/100 Mbit/s Ethernet port
Audio port	Supported (2-channel built-in MIC)/Supported (one-channel speaker)

General Specifications	
Power type	24 V AC and PoE (IEEE 802.3at)
Power consumption	Maximum power consumption: 22.3 W; Typical power consumption: 8.9 W
Operating temperature	-30°C to +60°C
Operating humidity	5% to 95% (non-condensing)
Surge protection	6 kV
IP rating	IP66
Equipment Anti Corrosion	Class C corrosion resistance
Weight	Net weight 2.6 kg;Gross weight 4.5 kg
Dimensions	Device dimensions 260 mm x 202.6 mm x 202.6 mm;Package dimensions 375 mm x 285 mm x 285 mm

Dimensions



Recommended Accessories



ACC3651



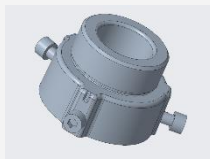
ACC3631



ACC3621



ACC3611



ACC3671